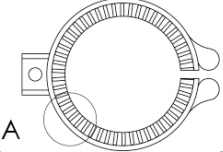
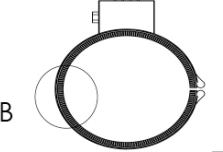
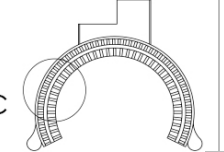
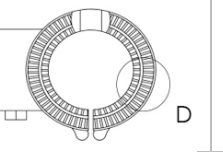
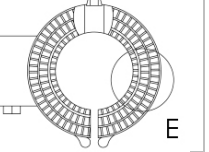
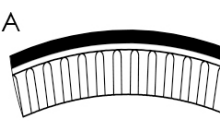
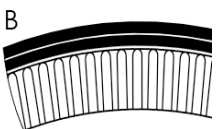
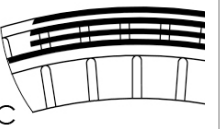
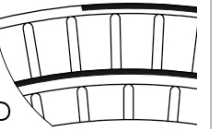
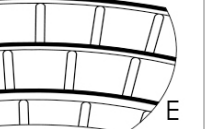


CERAMIC BAND HEATERS

CERAMIC BAND HETERS

CALCER10	Ceramic insulated band heater	CALCER16	Ceramic Insulated band heater with 1-layer cover
CALCER12	Ceramic Insulated Band Heater with 1 Layer Amiant	CALCER18	Ceramic Insulated Band Heater with 2 Layer Cover
CALCER14	Ceramic Insulated Band Heater with 3 Layer Amiant		

MODELS

Selection					
Code	CALCER10	CALCER12	CALCER14	CALCER16	CALCER18
Image					
Section					
MATERIAL	Galvanized / Stainless Steel *				
Wall Thickness	11mm	13mm	17mm	24mm	37mm
Max. Operation temperature	450°C				
Max. Load (w/cm2)	7.5 W/cm2				
Operating voltage	9 ~ 400V				
clamp glamp	5 ~ 10 mm				
high voltage stability	600 ~ 750V AC				
performance tolerance	± %5				
clamping	Capsule / Screw				
temperature sensor	Type : K, J, PT100				

Standard production is made using galvanized material. Stainless steel material is used at your request.

DIMENSIONS

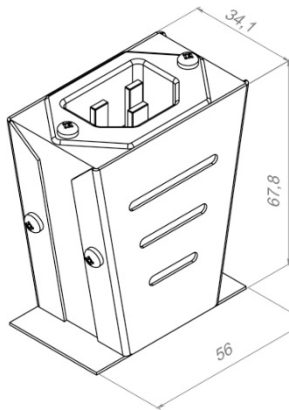
Type	Diameter (Ø)	Length
CALCER10	40 - 600 mm*	18 - 500 mm**
CALCER12	100 - 600 mm*	60 - 500 mm**
CALCER14	100 - 600 mm*	80 - 500 mm**
CALCER16	100 - 600 mm*	100 - 500 mm**
CALCER18	100 - 600 mm*	100 - 500 mm**

*larger diameters on request

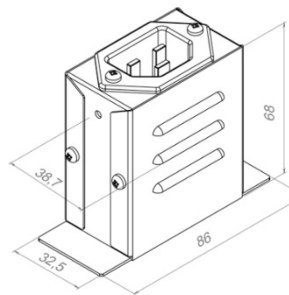
** longer length on request

CONNECTORS

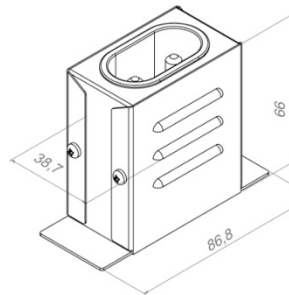
Energy Connection Types



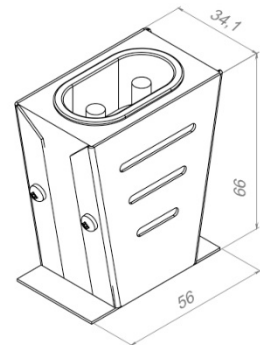
**3 PINS PLUG
CONNECTION
TRIANGLE TYPE
PRODUCT ID
YM0103002002**



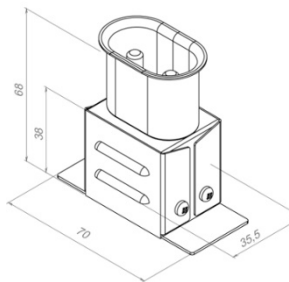
**3 PINS PLUG
CONNECTION
PRODUCT ID
YM0103002003**



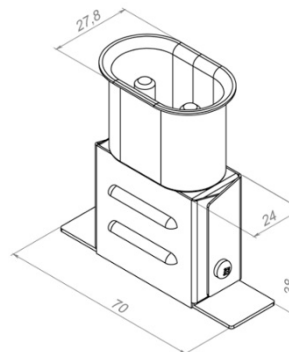
**2 PINS PLUG
CONNECTION
PRODUCT ID
YM0103001001**



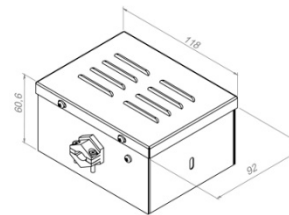
**2 PINS PLUG
CONNECTION
TRIANGLE TYPE
PRODUCT ID
YM0103001002**



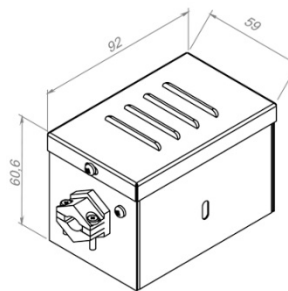
**2 PINS PLUG
CONNECTION
WIDE-BOX
PRODUCT ID
YM0103001003**



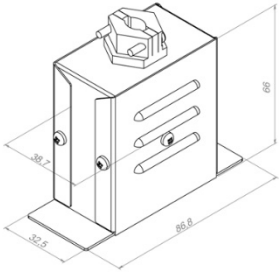
**2 PINS PLUG
CONNECTION
NARROW-BOX
PRODUCT ID
YM0103001004**



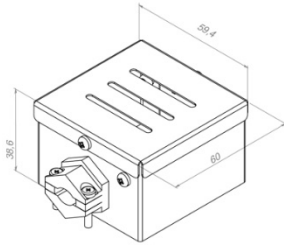
**CONNECTION
BOX with
TERMINAL NO:5
PRODUCT ID
YM0101001500**



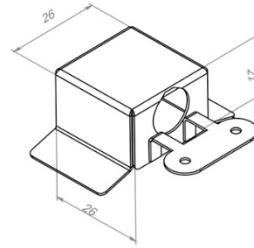
**CONNECTION
BOX with
TERMINAL NO:4
PRODUCT ID
YM0101001400**



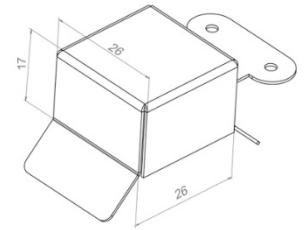
**CONNECTION BOX
with TERMINAL
NO:1
PRODUCT ID
YM0101001100**



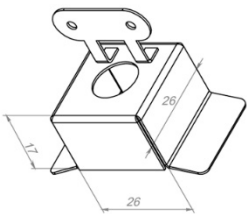
**CONNECTION BOX with
TERMINAL NO:3
PRODUCT ID
YM0101001300**



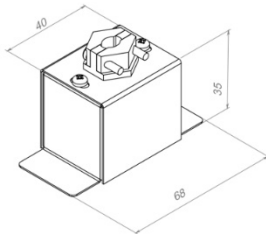
**CABLE BOX NO:1
PRODUCT ID
YM0102001001**



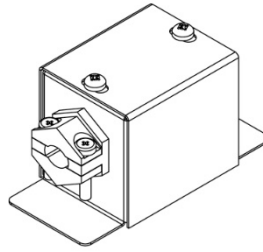
**CABLE BOX NO:2
PRODUCT ID
YM0102001002**



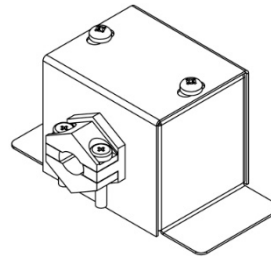
**CABLE BOX NO:3
PRODUCT ID
YM0102001003**



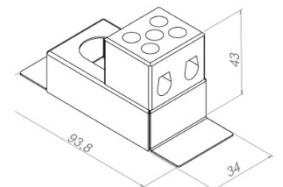
**CABLE BOX NO:6
PRODUCT ID
YM0102001006**



**CABLE BOX NO:7
PRODUCT ID
YM0102001007**

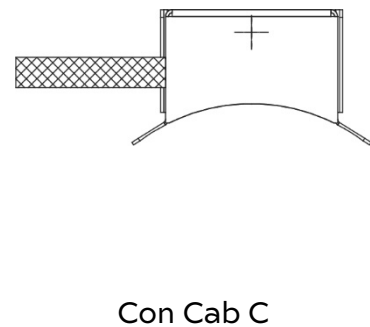
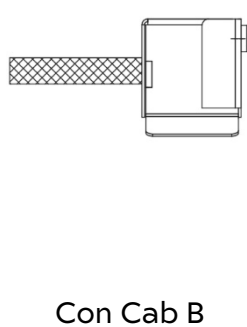
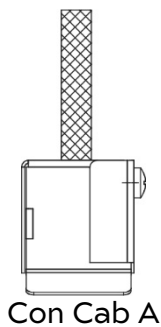


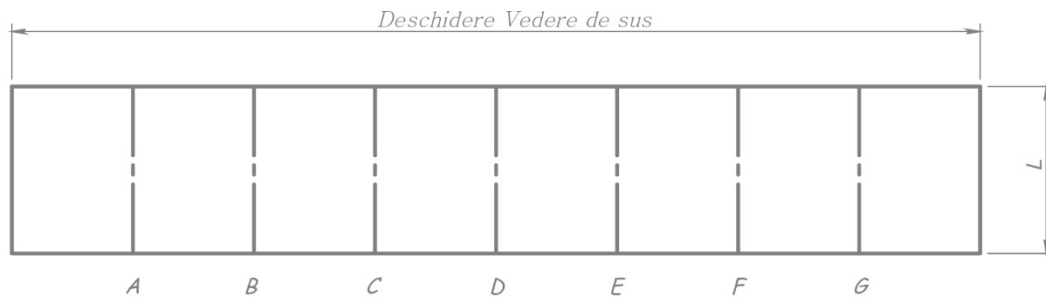
**CABLE BOX NO:8
PRODUCT ID
YM0102001008**



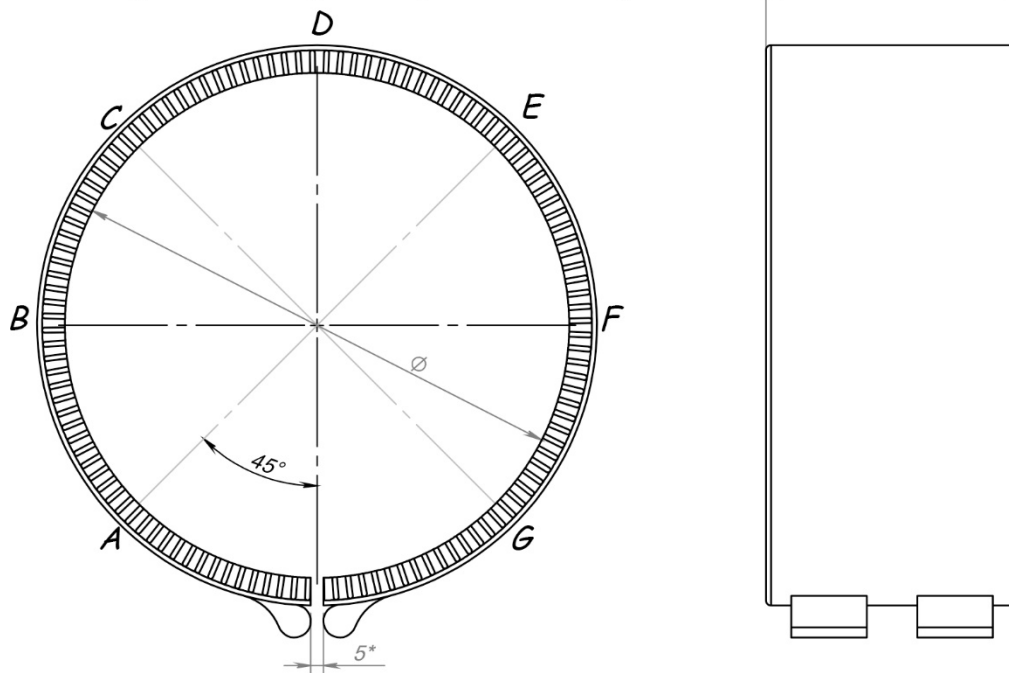
**L TYPE TERMINAL
CONNECTION
PRODUCT ID
YM0104001001**

Connector cable





Regiunea energetică și zonele de găuri



Request					
\varnothing		L		Code	
Cable L		Connector Cable		Connectors Code	
Volt:		Watt:			
Holes Positions		Holes Dimensions			